

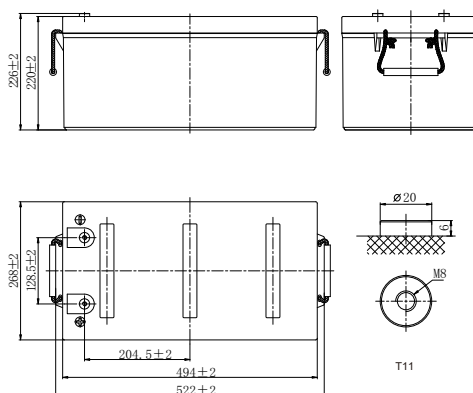
### 77295 LP12V250Ah(12V262Ah/C20)

#### Specifications

Rated Voltage	12V	
Nominal Capacity	250.0Ah	(C <sub>10</sub> , 1.80V/cell)
Dimension	Length	522±2mm
	Width	268±2mm
	Container Height	220±2mm
	Total Height	226±2mm
Approx Weight	70.6 Kg	
Terminal	T11(M8)	
Container Material	ABS	
Rated Capacity (25°C)	262.0 Ah	(20hr, 13.1A, 1.80V/cell)
	250.0 Ah	(10hr, 25.0A, 1.80V/cell)
	227.5 Ah	(5hr, 45.5A, 1.75V/cell)
	207.3 Ah	(3hr, 69.1A, 1.75V/cell)
	159.4 Ah	(1hr, 159.4A, 1.60V/cell)
Max. Discharge Current	2500A (5s)	
Internal Resistance (25°C)	Approx 2.8mΩ	
Operating Temp. Range	Discharge	-15 ~ 50°C
	Charge	-20 ~ 40°C
	Storage	-15 ~ 40°C
Nominal Operating Temp. Range	25±3°C	
Cycle Use	Initial Charging Current less than 75.0A. Voltage 14.4V~15.0V at 25°C Temp. Coefficient -30mV/°C	
Standby Use	Initial Charging Current less than 75.0A. Voltage 13.5V~13.8V at 25°C Temp. Coefficient -20mV/°C	
Effect of temp. to Capacity	40° C	103%
	25° C	100%
	0° C	86%
Self Discharge	LP series batteries may be stored for up to 6 months at 25°C and then a freshening charge is required. For higher temperatures the time interval will be shorter.	



#### Layout



#### Constant Current Discharge (Amperes) at 25 °C

F.V/Time	10min	15min	20min	30min	45min	1h	1.5h	2h	3h	4h	5h	6h	8h	10h	20h
1.85V/cell	362.5	320.7	252.2	225.5	164.9	139.7	101.2	85.1	62.4	49.0	42.5	37.5	28.8	23.9	12.7
1.80V/cell	411.4	363.4	285.1	245.5	174.7	144.7	104.7	87.9	67.8	52.3	44.7	40.3	30.3	25.0	13.1
1.75V/cell	446.2	393.4	307.8	250.5	181.0	151.8	110.0	92.5	69.1	53.3	45.5	40.6	30.5	25.3	13.3
1.70V/cell	475.7	417.8	326.4	255.5	184.6	154.8	112.2	94.4	70.4	54.2	46.3	40.8	30.9	25.5	13.4
1.67V/cell	490.8	430.0	335.3	259.3	187.3	157.1	113.9	95.7	71.1	55.0	47.2	41.0	31.4	25.8	13.6
1.60V/cell	507.6	443.4	343.9	263.0	190.1	159.4	115.5	97.1	71.7	55.7	47.9	41.3	31.8	26.1	13.7

#### Constant Power Discharge (Watts/cell) at 25 °C

F.V/Time	10min	15min	20min	30min	45min	1h	1.5h	2h	3h	4h	5h	6h	8h	10h	20h
1.85V/cell	641.2	582.9	460.5	413.7	304.4	259.3	188.4	158.9	117.1	92.3	80.4	71.1	54.9	45.6	24.2
1.80V/cell	717.3	652.0	515.0	446.8	320.3	267.2	193.9	163.3	126.5	98.1	84.2	76.0	57.6	47.6	25.1
1.75V/cell	765.6	695.9	549.7	452.4	329.9	279.1	202.9	171.2	128.6	99.6	85.3	76.4	57.7	48.1	25.2
1.70V/cell	804.8	731.5	577.9	457.6	334.2	283.1	206.0	174.0	130.7	101.0	86.5	76.7	58.6	48.5	25.5
1.67V/cell	817.9	743.4	587.3	460.9	337.2	285.7	208.0	175.7	131.3	102.1	88.0	76.8	59.2	49.1	25.8
1.60V/cell	829.4	753.9	595.6	462.8	338.9	287.8	209.7	177.1	131.8	102.9	88.9	77.1	59.9	49.5	26.0

## 77295 LP12V250Ah(12V262Ah/C20)

### Applications

- All purpose
- Uninterruptable Power Supply (UPS)
- Electric Power System (EPS)
- Emergency backup power supply
- Alarm and security system
- Communication power supply
- DC power supply
- Auto control system

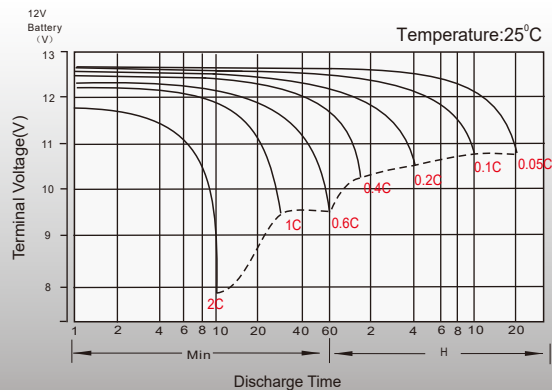
### General Features

- 5 years design life(25°C)
- Special exhaust structure and sealing technology, safe and reliable, flexible installation, convenient maintenance
- PbCaSn alloy for plate grids: less gassing, less self-discharging
- High quality AGM separator: extend cycle life and prevent micro short circuit
- High purity raw material: ensure low self discharge rate

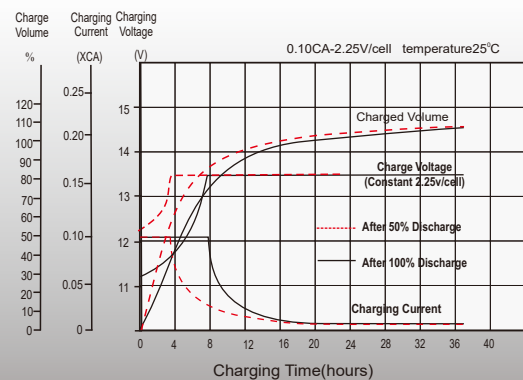
### Standards

- Compliance with IEC 60896 standards, EU Battery Directive
- UL, CE Certified
- IATF16949, ISO45001, ISO 9001 and ISO 14001 certified production facilities

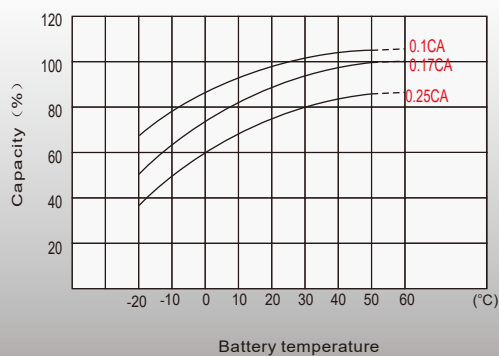
### Discharge Characteristics



### Float Charging Characteristics



### Temperature Effects in Relation to Battery Capacity



### Effect of Temperature on Long Term Float Life

